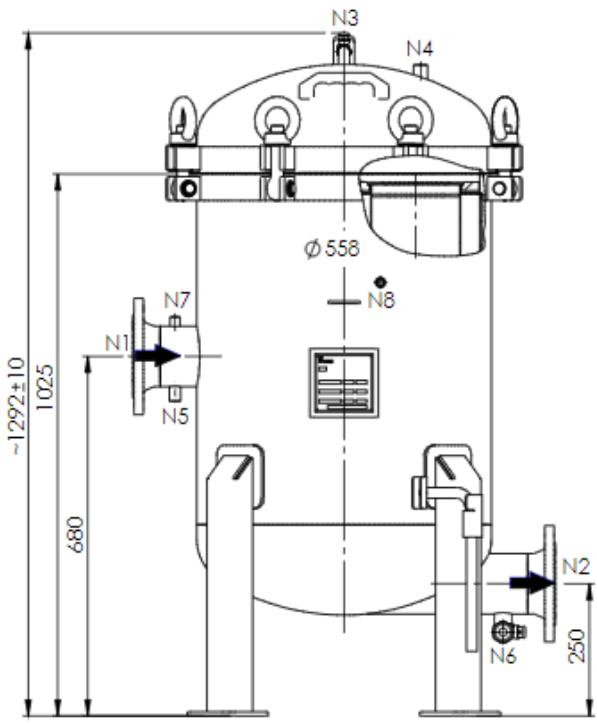
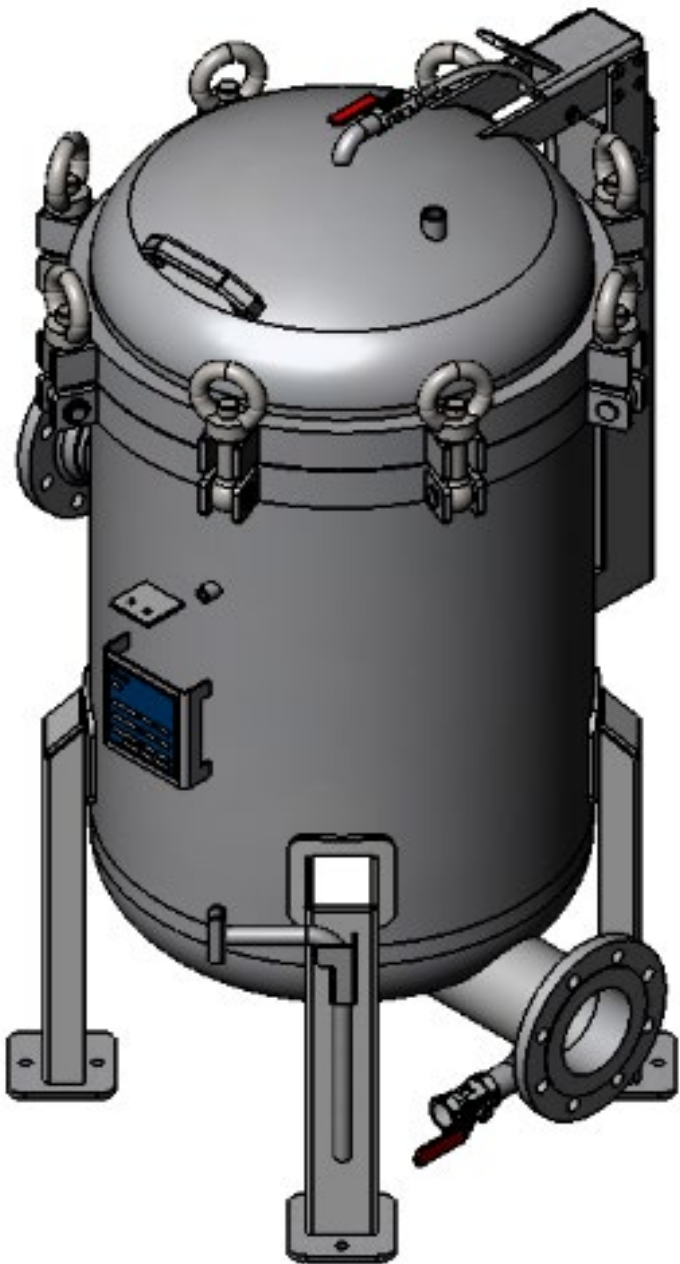


Water purification pump large



SPEZIFIKATION / SPECIFICATION

Anzahl / Art der Filterbeutel / Quantity / type of filter bag	4 Stk. Filterbeutel Gr. 2 4 pcs. filter bag size 2
Max. zul. Druck / Max. allow. pressure	10 bar
Max. zul. Temperatur / Max. allow. temperature	-10/+80°C
Inhalt / Volume	~222 l
Werkstoff Gehäuse / Material housing	AISI 304
Werkstoff Dichtung / Material gasket	FPM
Werkstoff Schrauben / Material bolts	Edelstahl / stainless steel
Gewicht / Weight	~219 kg

MAIN APPLICATIONS:

- DESALINATION
- WATER TREATMENT
- FINE CHEMICAL
- PETROCHEMICAL
- OIL & GAS
- FOOD & BEVERAGE
- POWER GENERATION
- PAINT AND RESINS
- PHARMACEUTICAL
- MICROELECTRONIC
- HYDRAULIC
- STEEL MILL
- GENERAL INDUSTRY

